

Footbridge Group 6



He Lulin

Li Yingyue

Esra Yaman

Ege Can Yazıcı

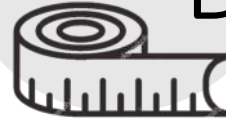
Location



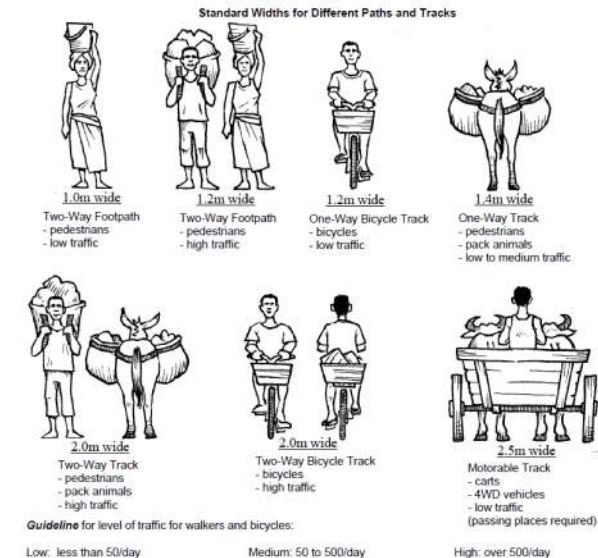
- Ciberang, Lebak, Banten, Indonesia



Dimensions

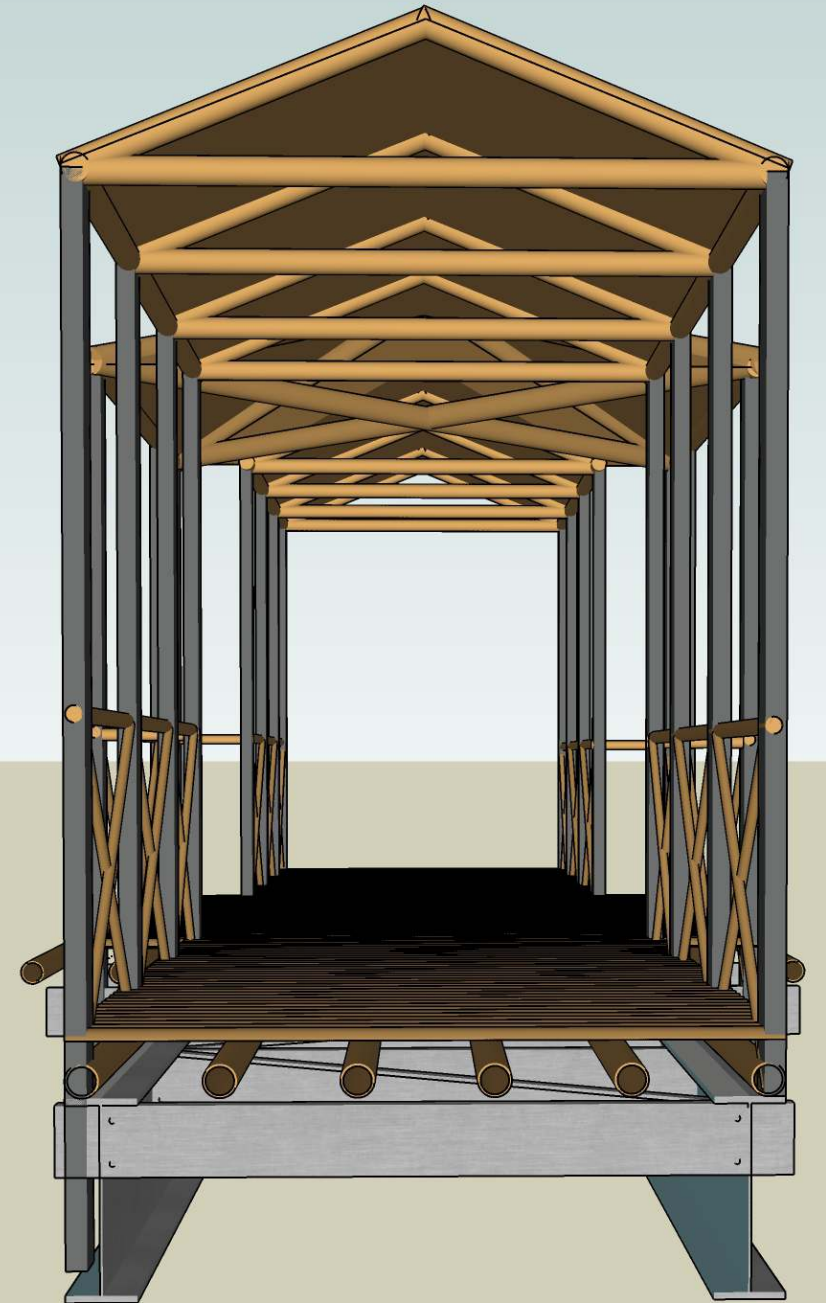
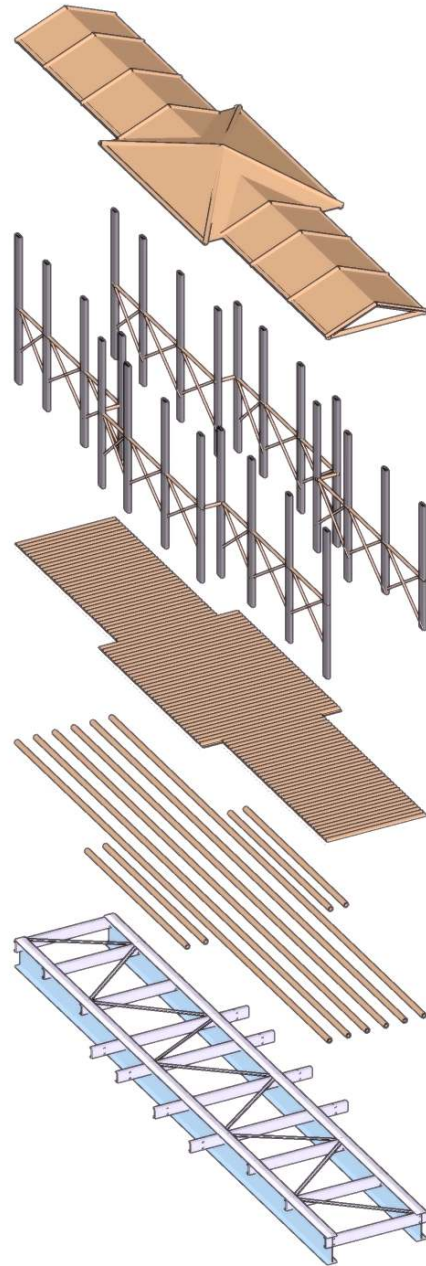


- 15m length
- 2.5m width
- 0.5m observation area popout
- 5m observation area length



Design

- A symbol of integrity for 2 neighboring communities
- A channel for trade and knowledge
- Sustainable and locally available materials and work force for maintenance



Materials

● bamboo

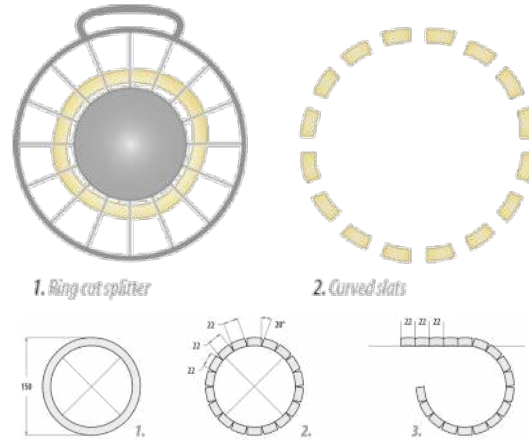
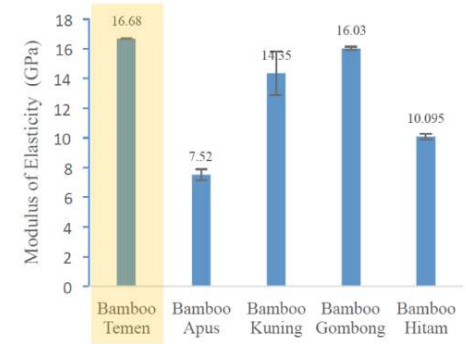
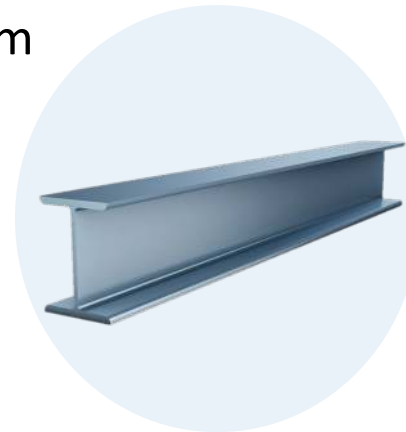


Table 1. Density of bamboos.

Name of bamboo	Density (g/cm ³)
Bamboo Temen	0.76
Bamboo Apus	0.60
Bamboo Kuning	0.62
Bamboo Gombong	0.78
Bamboo Hitam	0.54



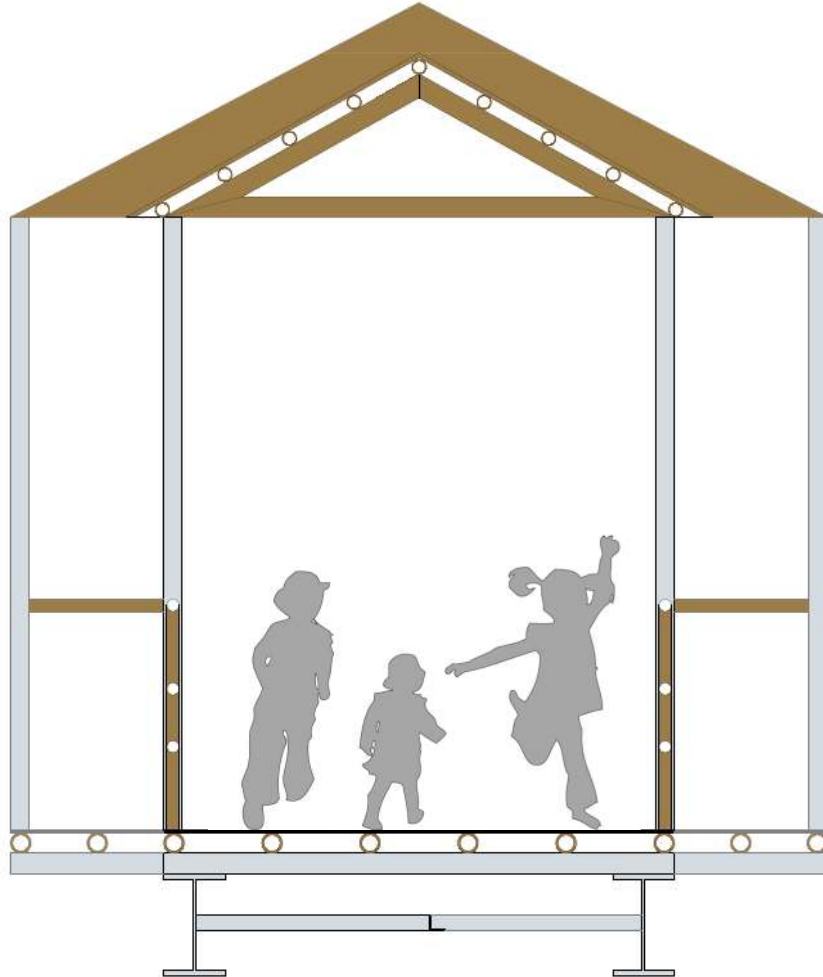
● steel beam



Sigla HEB	Peso kg/m	Sezione cm ²	Momenti di inerzia	
			Jx cm ⁴	Jy cm ⁴
100	20,4	26,04	449,5	167,3

Sigla HEB	Peso kg/m	Sezione cm ²	Momenti di inerzia	
			Jx cm ⁴	Jy cm ⁴
500	187,0	238,6	107.200	12.620

● joints



Calculation Result (Nolian)

